

INSTALLATION INSTRUCTIONS

Pre-Installation Planning

READ INSTRUCTIONS COMPLETELY BEFORE BEGINNING INSTALLATION.

1. Do NOT store units out of doors. Keep out of sunlight and exposure to weather.
2. Review Figures 1 and 2 to make sure alcove is of proper size. If a fire rated alcove is required, approved finish material must be installed prior to unit installation.
3. Check plans for pit requirements. A.D.A. units with a wheelchair entry must be dropped into a pit or have a ramp provided for access. Figure 3.
4. Access to drain and supply connections should be provided so that these connections may be made after the unit has been installed. Framing alcove must reflect interior dimensions on diagram to permit installation. Note on diagram the required opening in the floor to provide clearance for the drain fitting and connection.
5. Mortar, casting plaster, or other foundation materials are MANDATORY to provide bottom support under the floor of the units. Trowel mortar into a grid pattern so that the unit bottom will mold into the mortar bed. Wood shims are an alternate method for support. Floor of unit must be fully supported.

Installation Procedure

1. Make sure your recessed framed pocket is square and plumb in accordance with rough-in dimensions. You may prefer to complete framing of the backwall and one end wall; then frame out the opposite end wall after the unit has been set in place.
2. Locate supply lines for control valves and shower unit. If the unit is to be installed as an A.D.A. compliant unit, the location of the control valve and hand held shower is specified by code. GBW, Inc. is not responsible for limited version units meeting A.D.A. guidelines for proper component selection and component placement. The installer is responsible for adhering to all A.D.A. guidelines pertaining to the selection,

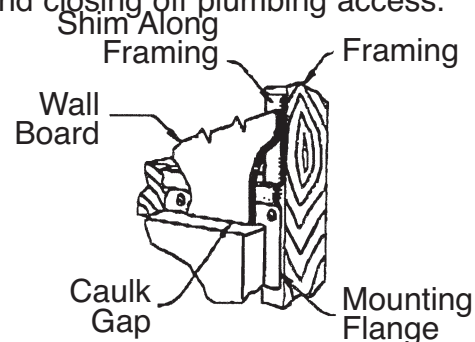
installation, and placement of components.

Measure and mark locations of fittings on the finished side of the unit. Recheck locations and drill 1/4" pilot holes. Cut holes to final size using the appropriate size hole saw.

3. Drain and/or Overflow assembly should be installed on unit according to the manufacturers instructions. Apply a bead of silicone caulk, or plumbers putty around the drain opening in unit before installing the fitting.
4. Apply mortar or plaster to the alcove floor. Carry unit to opening, align front of apron to final location and tilt unit into place. Carefully work unit into mortar base until it is plumb. Care should be taken to avoid flattening the mortar where it is not contacting the bottom.
5. Plumb and level the unit in two directions: Place a level on top of the apron, and along the finished flat area at the top of the wall. Install wood shims under the apron to fill any gap. Mount unit to framing with 6d galvanized nails or screws through the pre-drilled holes in the mounting flanges.

If required, drill additional holes through the flanges in order to attach the unit to the studs.

6. Make connections to supply and drain lines. Strap all lines to the framing. Install finish trim. Caulk as necessary.
7. Check for leaks before installing wall board, and closing off plumbing access.



8. Finish wall board as detailed in the diagram.

Framing Dimensions

Refer to Products in this manual for additional installation information. Georgia Bathware is not responsible for the selection or placement of fittings that must adhere to A.D.A. guidelines or any local codes.

Model No.	Name	Figure 1	Figure 2	A	B	C	D	E	F
76031	Dell	X		78"	60-1/8"	32-3/8"	15-5/8"	2"	78" Min.
73838	Nick		X	78"	38-1/8"	38-3/4"	17-3/4"	19"	78" Min.
74838	Sam		X	78"	48-1/8"	37-3/4"	18-1/2"	24"	78" Min.
76037	Florence		X	78"	60-1/8"	37-3/4"	18-1/4"	30"	78" Min.
76438	Rob		X	78"	64-1/8"	37-3/4"	18-1/2"	32"	78" Min.
76432	Davis		X	78"	64-1/8"	32-1/2"	16-1/2"	32"	78" Min.

TUB/SHOWER FRAMING

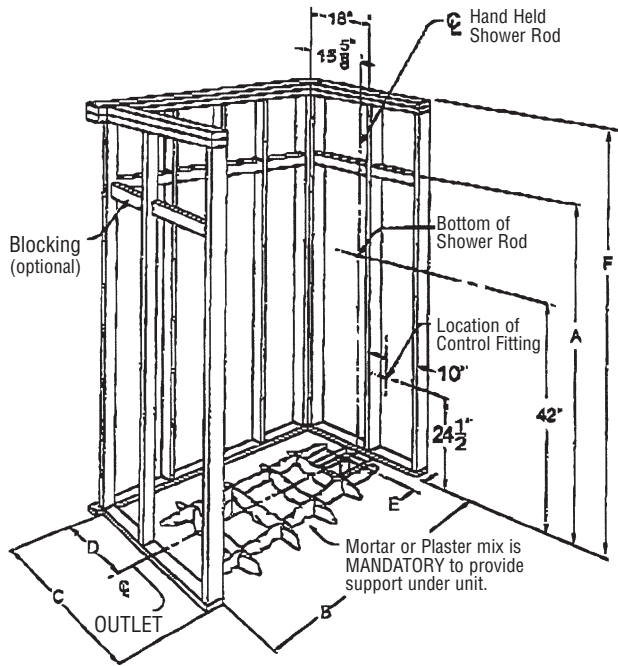


Figure 1

SHOWER FRAMING

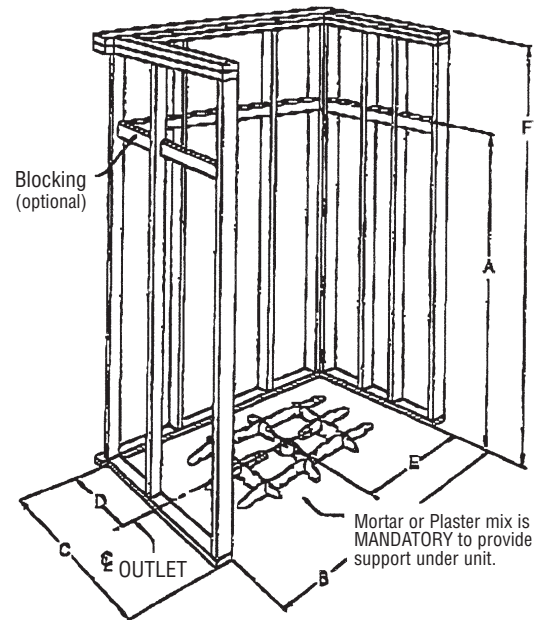


Figure 2

ROLL-IN INSTRUCTIONS

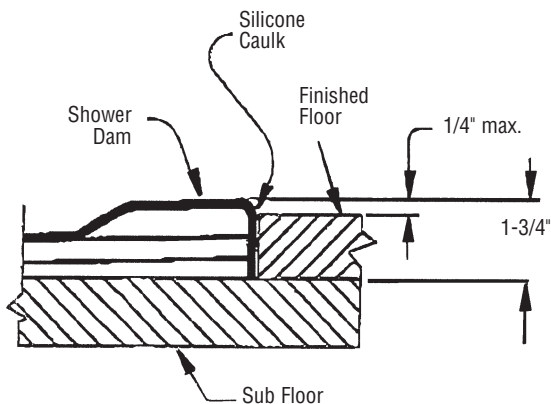


Diagram shows example of the unit recessed in a pit, or with a ramp built leading to the unit. A.D.A. requirement for Roll-In Showers.

Figure 3

CAUTION

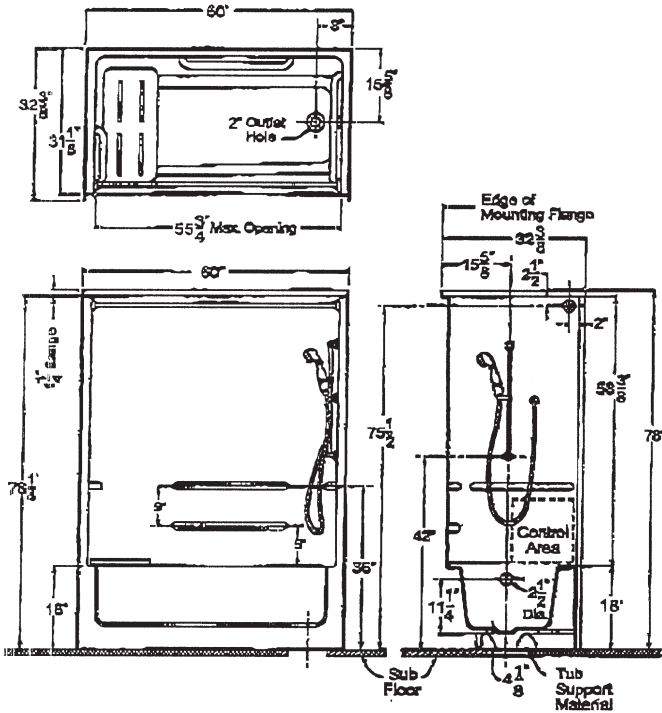
If you use a **RUBBER FLOOR MAT** in this tub or shower unit it must be removed after each usage. If left in the unit, it may cause blisters or damage to the surface finish.

Do Not Use Abrasive Cleaners

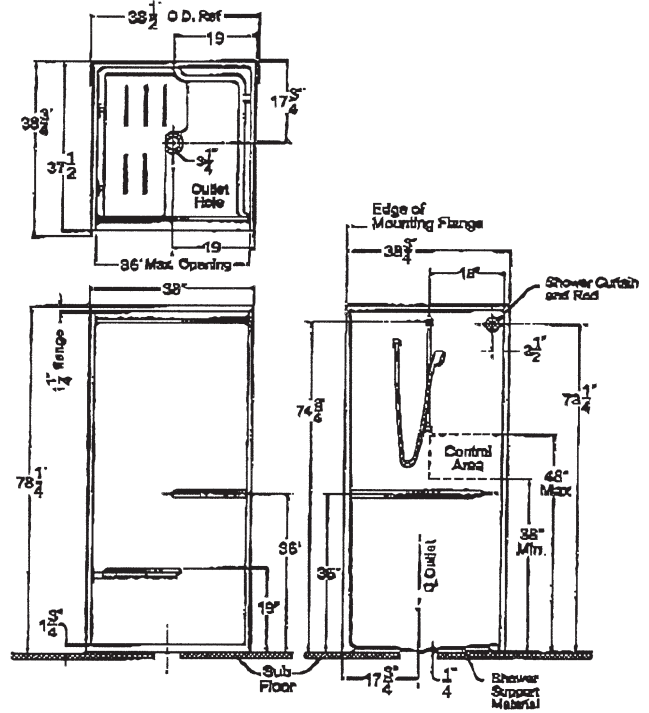
The most important caution is to avoid use of harsh abrasive cleaners or gritty scouring powders. To clean the unit, simply use a household liquid detergent with soft sponge cloth and warm water. More persistent stains, tar, or paint can be removed with naphtha or mineral spirits. Remove excess plaster by scraping with a sharpened soft wood stick. Avoid wire brushes, metal scrapers or tools. Restore dull areas by rubbing with automotive type body cleaning compound.

ADA and Barrier Free Units

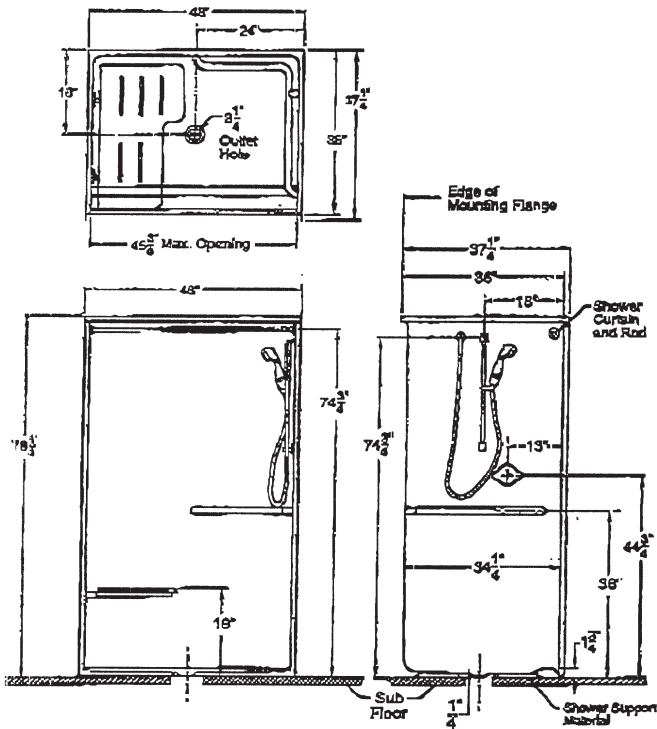
CERTAIN FITTINGS ILLUSTRATED ARE OPTIONAL



76031 Dell 60" Gel Coat Tub/Shower Unit ADA

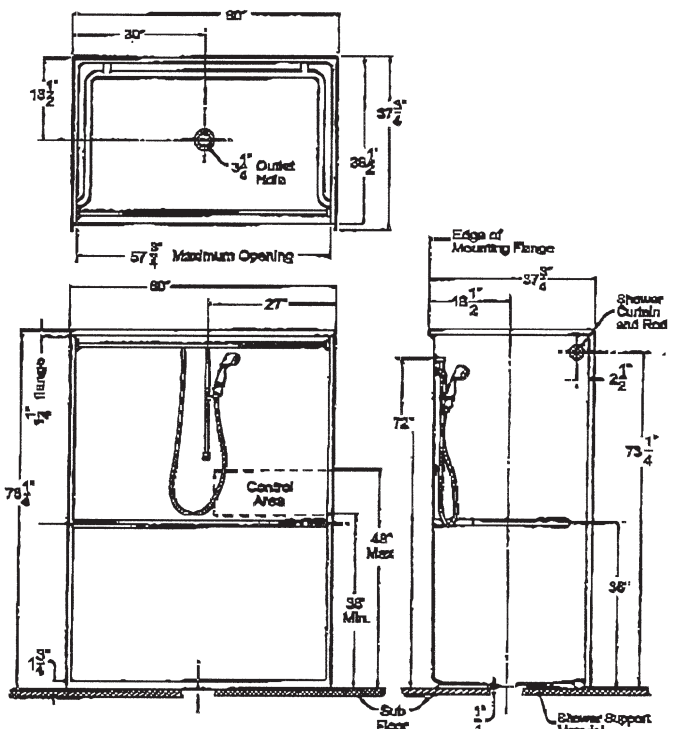


73838 Nick 36" I.D. Gel Coat Shower Unit ADA



Shower Head and Control Area may be on side wall (as shown) or back wall.

74838 Sam – 48" Gel Coat Shower Unit Barrier Free

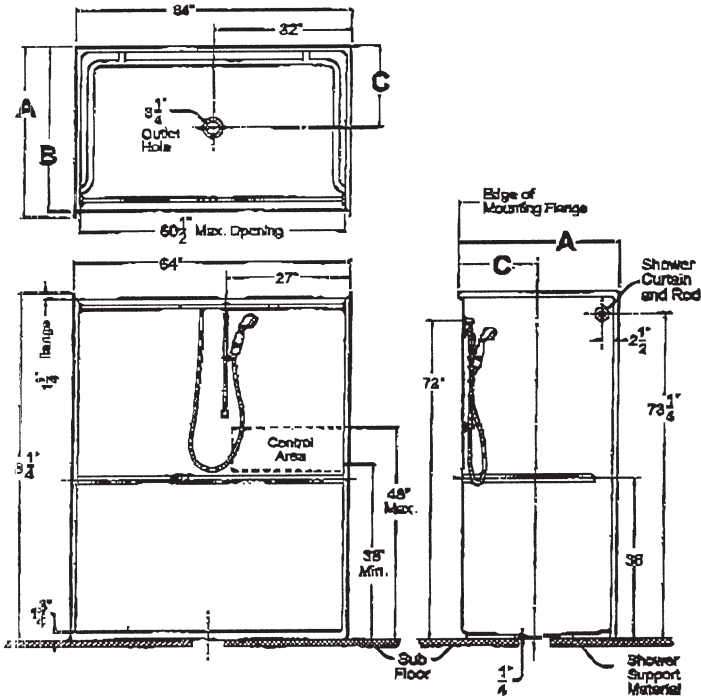


Shower Head and Control Area may be on back wall (as shown) or either side wall.

76037 Florence – 60" Gel Coat Shower Unit Barrier Free

ADA and Barrier Free Units

CERTAIN FITTINGS ILLUSTRATED ARE OPTIONAL



Shower Head and Control Area may be on back wall (as shown) or either side wall.

- 76438 Rob** 60" I.D. Gel Coat Shower Unit ADA
- 76432 Davis** 60" I.D. Gel Coat Shower Unit ADA

Model No.	Name	A	B	C
76438	Rob	38-1/8"	38-7/8"	18-1/2"
76432	Davis	32-1/2"	31-1/4"	16-1/2"

GEORGIA BATHWARE
 100 Industrial Blvd.
 Union Point, GA 30669
www.georgiabathware.com
 706-486-4133

LIMITED WARRANTY

Georgia Bathware warrants its plumbing products against defects in material and workmanship for the following periods following installation:

One Year: Fiberglass Bathing Fixtures (but not the fixtures thereto). One Year: Grab Bars.

Georgia Bathware at its discretion, will repair, replace, or make an appropriate adjustment when an inspection by a manufacturer representative reveals that such defects have occurred under normal usage within the warranty period. The party making the warranty claim will provide evidence of either date of purchase or installation at the time of inspection. Georgia Bathware shall be responsible for no other damages or liability whatsoever, consequential or otherwise, nor for labor, transportation or other expenses.

Since local code requirements vary greatly throughout the country, distributors, dealers, installation contractors, and users of plumbing products should determine whether there are any code restrictions on the use of a specific product. Georgia Bathware makes no representation or warranty regarding, and shall not be responsible for any code compliance.

THIS WARRANTY AND THE EXPRESSED REMEDIES THEREUNDER, IS THE ONLY WARRANTY MADE WITH RESPECT TO THE PRODUCTS SOLD BY GEORGIA BATHWARE. GEORGIA BATHWARE MAKES NO OTHER WARRANTY EXPRESSED OR IMPLIED WITH RESPECT TO SUCH PRODUCTS, INCLUDING (WITHOUT LIMITATION) WARRANTIES OF MERCHANTABILITY AND WARRANTIES OF FITNESS OR SUITABILITY FOR ANY PARTICULAR PURPOSE.

Some states do not allow limitations on how long an implied warranty lasts, or the exclusion or limitation of incidental or consequential damages, so this limitation and exclusion may not apply to you. This warranty gives you specific legal rights. You may also have other rights which vary from state to state.