



60" Corner Acrylic Tub

FEATURES

• 96060 Anderson

60" x 60" x 18-1/2"

- Six Color Coordinated Flow Control Jets
- Separate Air Controls
- Easy to Reach Air Operated On/Off Switch
- 1 HP Motor/Pump Wired For Plug-In Installation
- Available as Bath Only

NOTES

- Dimensions: 60" x 60" x 18 1/2" with flange
Shipping Weight: 155 lbs.
Certifications: ANSI Z124.2; NAHB
- Illustrated installation instructions included.



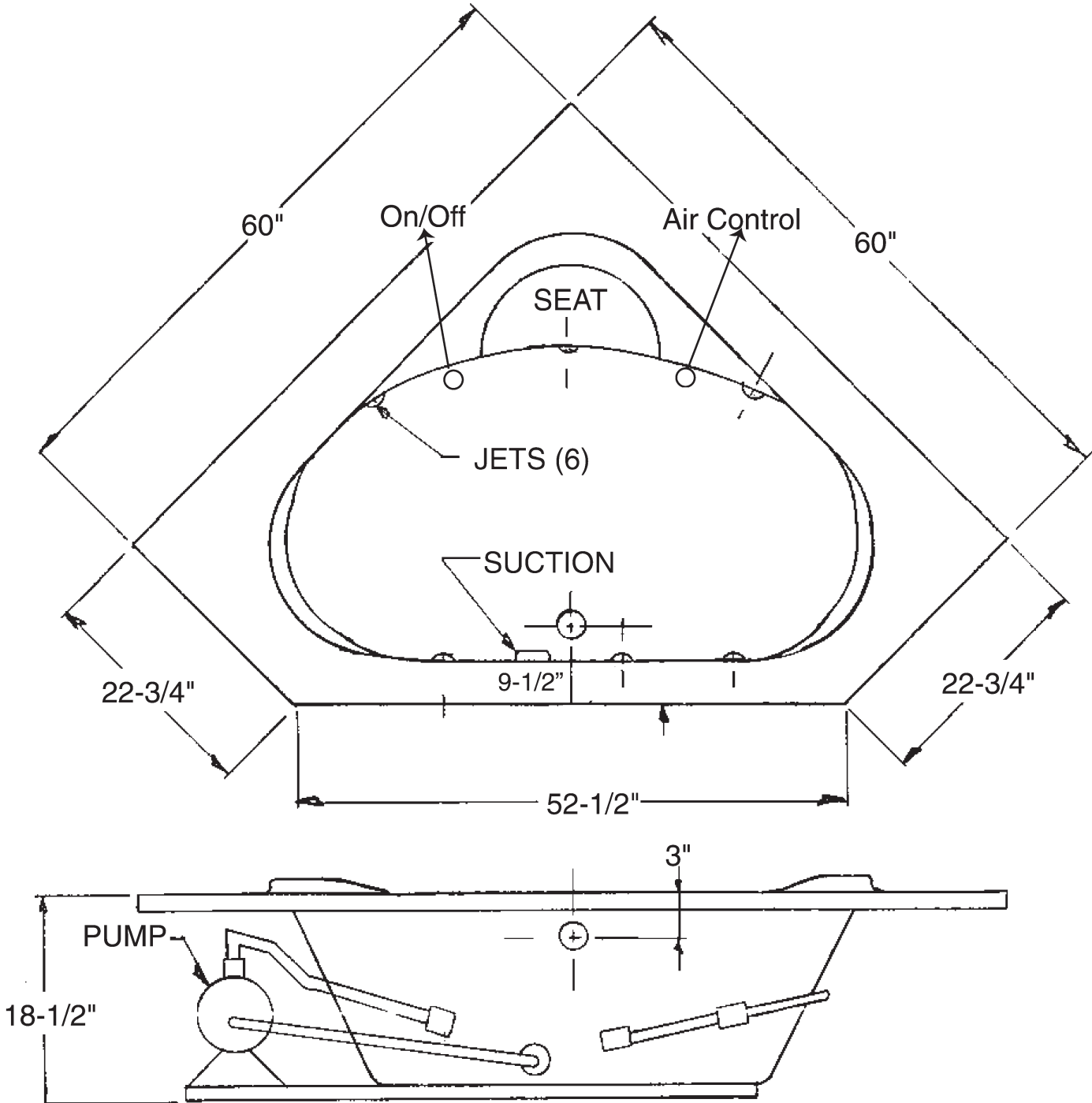
NOTE:

- Specify Motor On Left or Right Side

WARRANTY

Georgia Bathware warrants to the purchaser a three year warranty from the date of installation against defects in material and workmanship only.

60" Corner Acrylic Tub



IMPORTANT: Roughing-in dimensions may vary 1/2" and are subject to change or cancellation without prior notice. No responsibility is assumed for use of superseded or voided leaflets.