



### **One Piece Barrier-Free Shower** *High Gloss Gelcoat Finish*

## FEATURES

### • **76432 Davis**

*Shower module shall be additionally reinforced with 1/2" O.S.B. All units have an anti-skid floor treatment.*

*The unit shall be installed in a pit 1<sup>3</sup>/<sub>4</sub>" deep so the finished floor will be level with the top of the threshold.*

*The unit shall have nominal outside dimensions of 64" x 32 1/2" and nominal inside dimensions of 60 1/2" x 30". The nominal pit rough-in dimensions shall be 64 1/2" x 33". It is required that units be set in a mortar base, leveled and any clearances between the pit opening and the unit be filled with mortar. Shimming is necessary. It is recommended that a floor drain at or near the entrance to the shower be included.*

*The unit is made of sanitary grade high gloss polyester gelcoat with reinforced composite matrix.*

## NOTES

- All units shall have anti-skid floor treatment to meet performance requirements of ASTM F-462-78.
- Units conform to ANSI Z-124.2
- Factory installed components are provided with additional back reinforcements to provide code complying structural integrity and are sealed from the back side.
- Curtain rod and shower curtain available. See option for price.



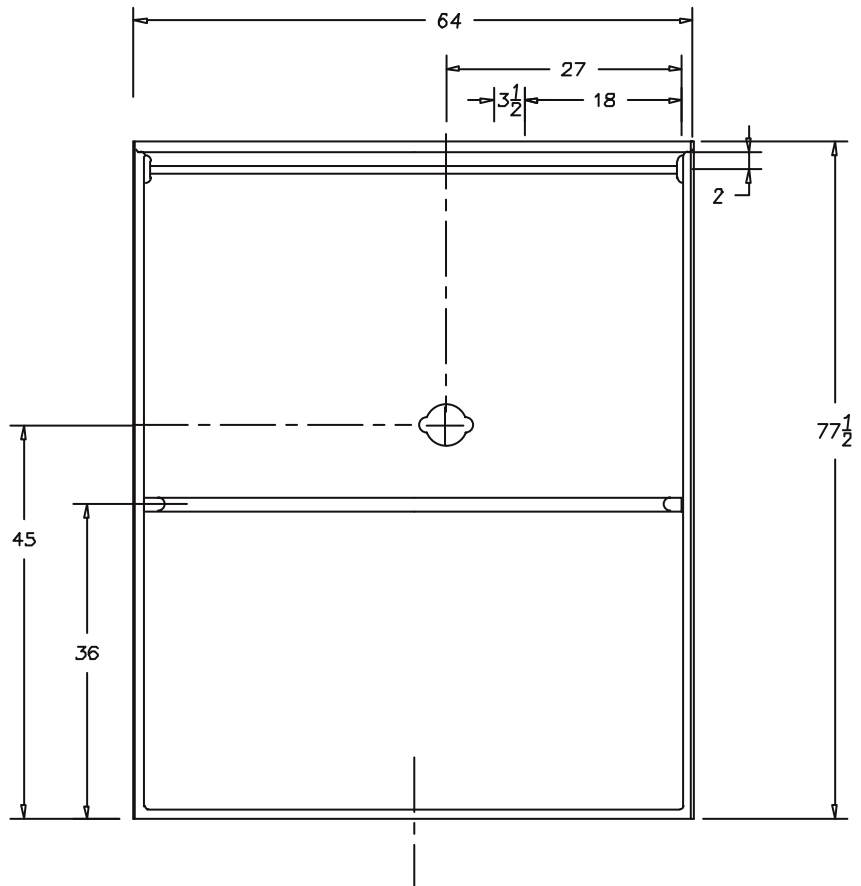
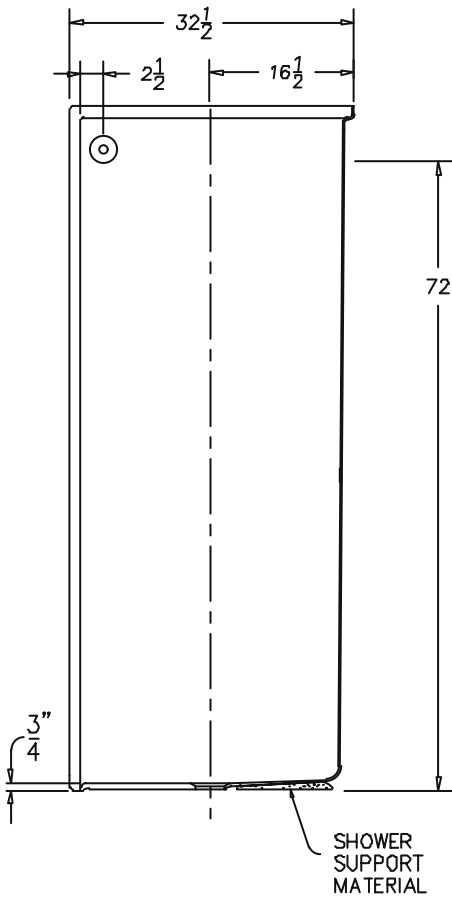
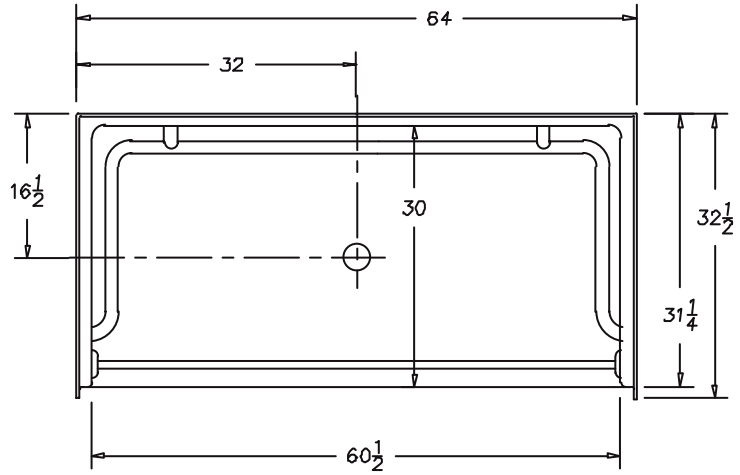
## WARRANTY

*Georgia Bathware warrants to the purchaser a three year warranty from the date of installation against defects in material and workmanship only.*



**One Piece Barrier-Free Shower**  
High Gloss Gelcoat Finish

**76432X**



**IMPORTANT:** Roughing-in dimensions may vary 1/2" and are subject to change or cancellation without prior notice. No responsibility is assumed for use of superseded or voided leaflets.