



## 56043T C/R/L



**One Piece 60" x 43" Tub/Shower**  
**Simulated Tile**  
**Above Floor Rough-In**  
**High Gloss Gelcoat Finish**

### FEATURES

• **56043T C/R/L Vanderbilt**

60" x 43" x 77" (nominal outside)

- Simulated tile walls
- Center drain, right hand or left hand drain
- Toiletry ledge
- Clear acrylic towel bar
- Slip resistant floor
- Above floor rough-in

The unit is made of sanitary grade polyester high gloss gelcoat with reinforced composite matrix.

Available in Whirlpool

### NOTES

- Dimensions: 60" x 43 1/4" x 77 1/4" with flange  
Shipping Weight: 198 lbs.  
Certifications: ANSI Z124.2; NAHB
- Illustrated installation instructions included.



### WARRANTY

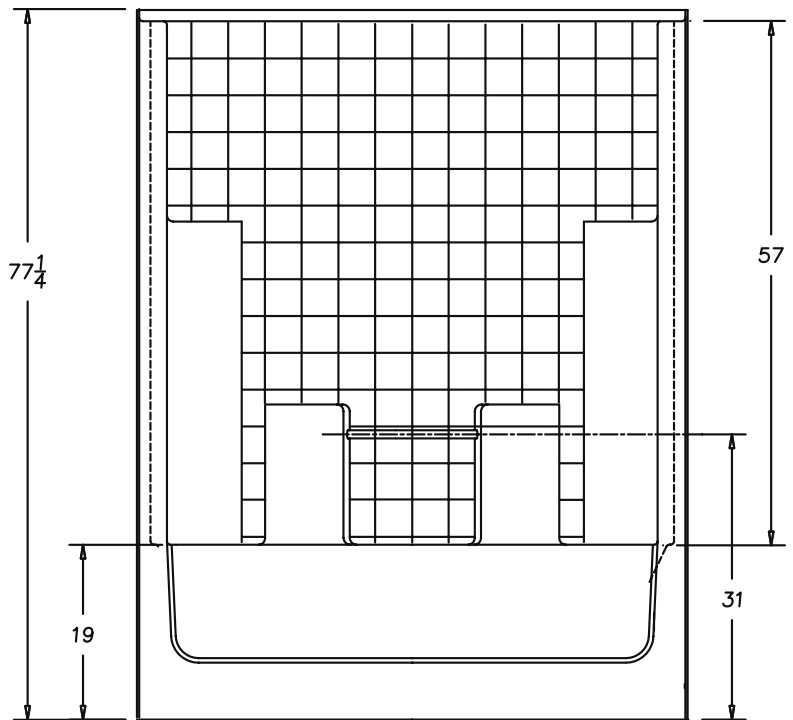
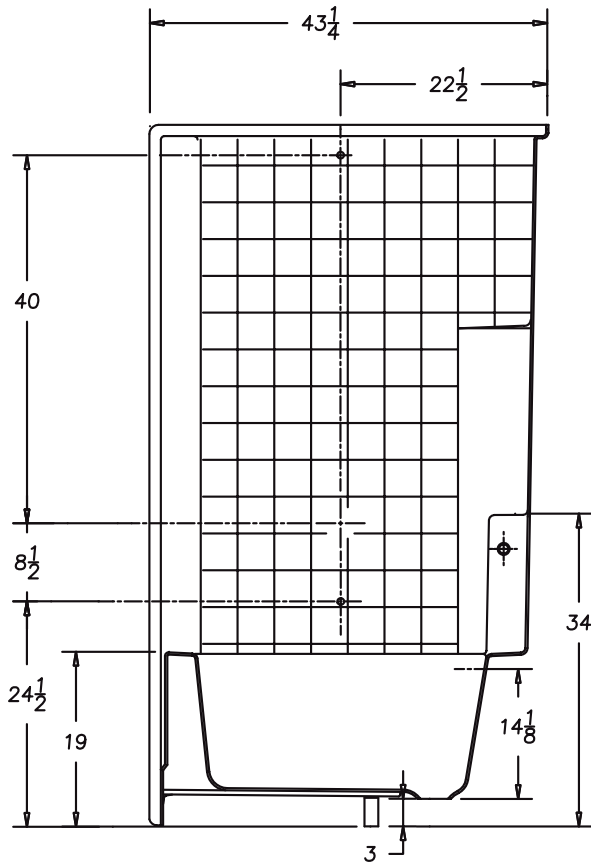
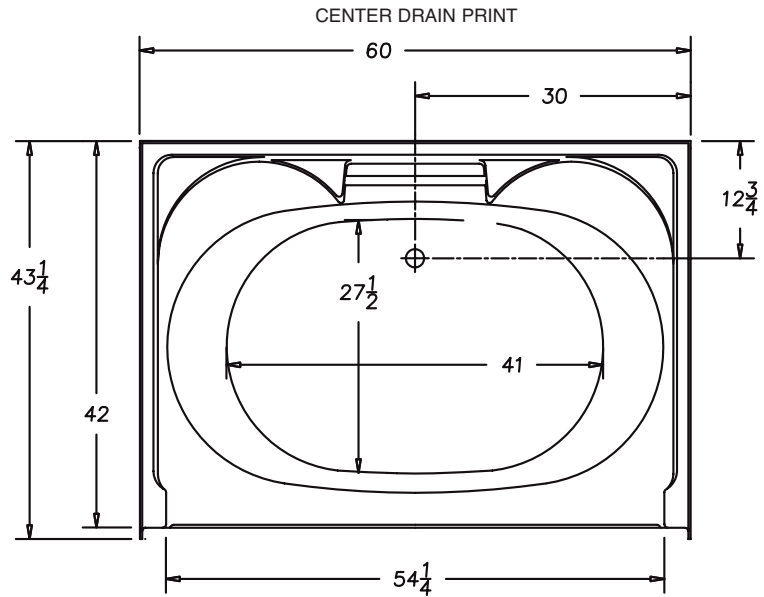
Georgia Bathware warrants to the purchaser a three year warranty from the date of installation against defects in material and workmanship only.

GEORGIA  
BATHWARE



56043T C/R/L

**One Piece 60" x 42" Tub/Shower**  
**Simulated Tile**  
**Above Floor Rough-In**  
*High Gloss Gelcoat Finish*



**IMPORTANT:** Roughing-in dimensions may vary 1/2" and are subject to change or cancellation without prior notice.  
 No responsibility is assumed for use of superseded or voided leaflets.

GEORGIA<sup>2</sup>  
 B A T H W A R E